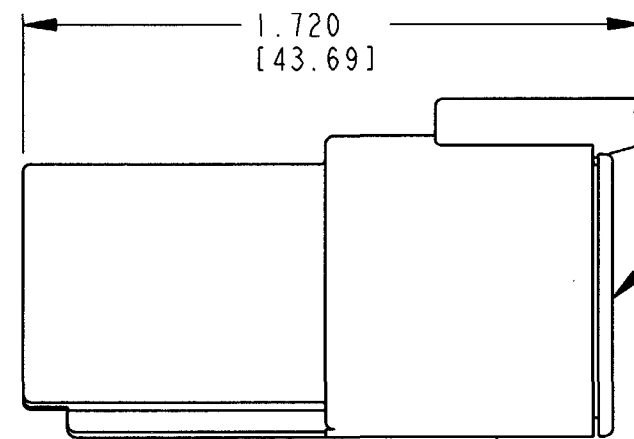
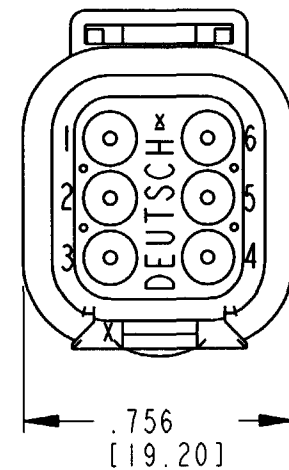
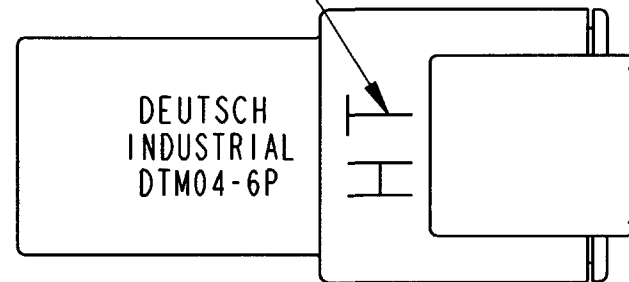
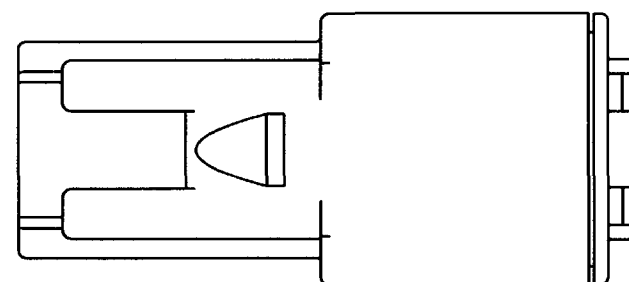
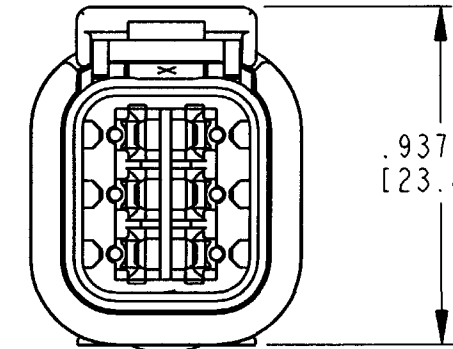


HIGH TEMPERATURE IDENTIFIER



SLEEVE RETAINER

RECEPTACLE HOUSING



REV NC DTM04-6P-EE04

REVISIONS			
SYM	DESCRIPTION	DATE	APPROVED
NC	NEW RELEASE PER E.O. P19786	4-21-08	RDR

7. PART MODIFICATION - COLOR: BLACK. RATED AT 150°C.
 6. MATERIAL - HOUSING: PLASTIC (BLACK); GROMMET/SEAL: RUBBER.
 5. CONNECTOR DESIGNED TO BE USED WITH DTM06-6S-**** PLUGS. (****) = ALL HIGH TEMPERATURE MODIFICATIONS CONSULT FACTORY FOR MODIFICATIONS.
 4. FOR CONTACT AND WIRE PERFORMANCE AND APPLICATION CHARACTERISTICS SEE ENVELOPE DRAWING 0425-015-0000.
 3. SECONDARY WEDGE LOCK SOLD SEPARATELY: WM-6P.
 2. DIMENSION TOLERANCE: $\pm .025$ [.64].
 1. DIMENSIONS ARE IN INCHES [mm].
- NOTES: UNLESS OTHERWISE SPECIFIED.

CONTACT SIZE	MIN. INSUL O.D. [mm]	MAX. INSUL O.D. [mm]	WIRE RANGE [mm ²] REF ONLY
20	.053 [1.35]	.120 [3.05]	16-20 AWG [1.0-0.5]

SIGNATURE & DATE	
DR	P. CARNAHAN 03/04/08
CHK	<i>[Signature]</i> 4/15/08
PE	<i>[Signature]</i> 4/17/08
APPD	<i>[Signature]</i> 4/18/08
SCALE	NONE

RECEPTACLE
6 CONTACTS, SIZE 20
COLOR: BLACK
-EE04 MOD
DTM SERIES
ENVELOPE

EP 172 MATL. CODE

3850 INDUSTRIAL AVE.
HEMET, CA 92545

DEUTSCH
INDUSTRIAL

B DTM04-6P-EE04

DWG SIZE CODE 11139 SHEET | OF |